

Joinery by Bears.



FEATURES INCLUDE:

- + Premium Hardwood Structure
- + Soft Closure Mechanism
- + Brass Knob
- + Full body 2 PAC Paint
- + Carrara Marble Stone Top
- + White Ceramic Undermount Basin
- + Open Shelf Storage Space

The Audrey Vanity



01. Precision-engineered



02. Detail sculping



03. The Natural Carrara Marble



04. Exceptional quality hardware



05. Soft Closure Mechanisms

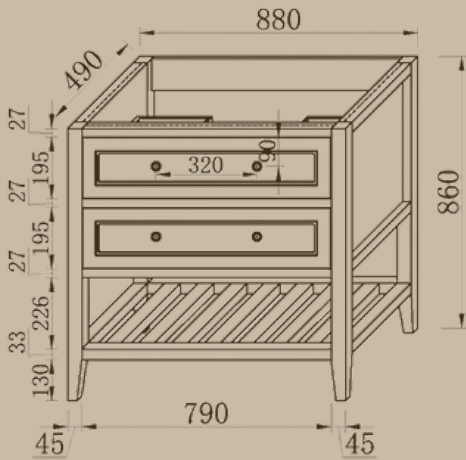


06. Full body durable 2PAC paint




All Joinery by Bears products come with exceptional quality hardware attachments that ensure your piece is a standout design. Selected carefully to ensure timeless yet functional design speaks through every element.

Never without the finer details, all vanities come fitted with seamless gliders and soft close drawers that allow for that added element of quality and consideration.

Joinery by Bears.



CABINET COLOUR:

- + Classic White 
- + Black 
- + Sagewood 
- + Brown Oak 

The Audrey Vanity 900

BASIN:

- + White ceramic undermount
- + Allow 32 or 40mm waste (not included)

HARDWARE:

- + Brass Knob
- + Blum runner & hinge

STONE COLOUR:

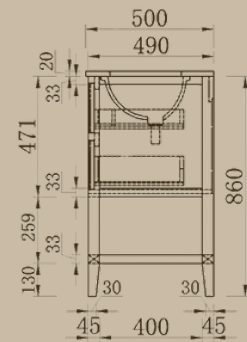
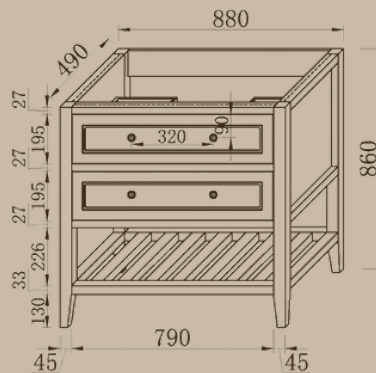
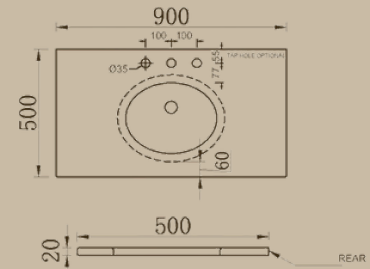
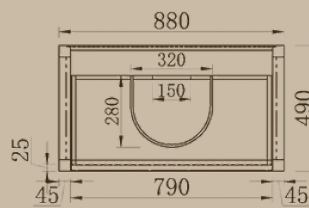
- + Carrara Marble

CUSTOMISE STONE/COLOR/HANDLE

- + Price to be quoted

INQUIRIES:

- + hello@joinerybears.com



CONSTRUCTION:

- + Structure: Hardwood
- + Drawer Front: High-density moisture-resistant particle board (MDF)
- + Interior: Premium Plywood
- + Hardware: Blum Soft close Mechanisms

INSTALLATION:

- + Freestanding, assembled vanity cabinet, no assembly needed.
- + Stone Top glued with basin, requires 1-2 people to lift the top to fit the cabinet.
- + Silicon top and sides of vanity if necessary.
- + No Tap hole unless requested.
- (Full installation guide: [Click Here](#))

PACKAGE:

- + Vanity 40KG 980*580*940 mm
- + Stone & Basin 24KG 1000*600*350mm

STRUCTURE:

- 1 x cutout drawer
- 1 x full-size drawer
- 1 x Open Shelf
- 2 x knobs

Joinery by Bears.



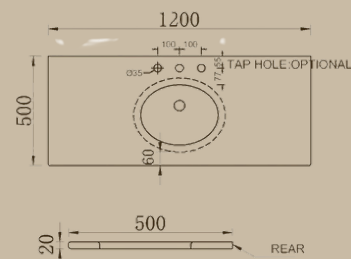
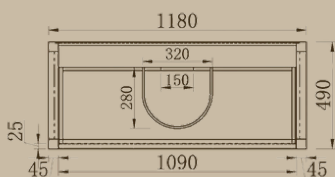
CABINET COLOUR:

- + Classic White
- + Black
- + Sagewood
- + Brown Oak

The Audrey Vanity 1200

BASIN:

- + White ceramic undermount
- + Allow 32 or 40mm waste (not included)



HARDWARE:

- + Brass Knob
- + Blum runner & hinge

STONE COLOUR:

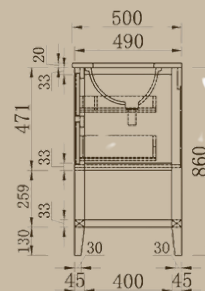
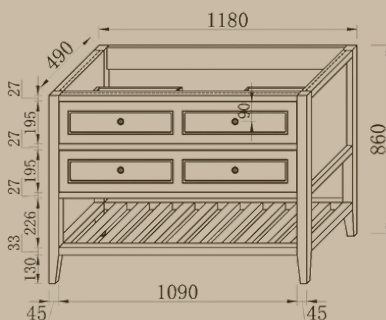
- + Carrara Marble

CUSTOMISE STONE/COLOR/HANDLE

- + Price to be quoted

INQUIRIES:

- + hello@joinerybears.com



CONSTRUCTION:

- + Structure: Hardwood
- + Drawer Front: High-density moisture-resistant particle board (MDF)
- + Interior: Premium Plywood
- + Hardware: Blum Soft close Mechanisms

PACKAGE:

- + Vanity 61KG 1280*580*940 mm
- + Stone & Basin 32KG 1300*600*350mm

INSTALLATION:

- + Freestanding, assembled vanity cabinet, no assembly needed.
- + Stone Top glued with basin, requires 1-2 people to lift the top to fit the cabinet.
- + Silicon top and sides of vanity if necessary.
- + No Tap hole unless requested.
- (Full installation guide: [Click Here](#))

STRUCTURE:





- 1 x cutout drawer
- 1 x full-size drawer
- 1 x Open Shelf
- 4 x knobs

Joinery by Bears.



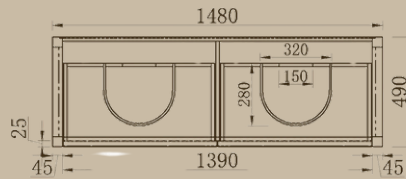
The Audrey Vanity 1500 Double

CABINET COLOUR:

- + Classic White 
- + Black 
- + Sagewood 
- + Brown Oak 

BASIN:

- + White ceramic undermount
- + Allow 32 or 40mm waste (not included)



HARDWARE:

- + Brass Knob
- + Blum runner & hinge

STONE COLOUR:

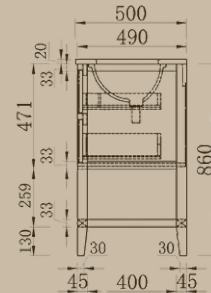
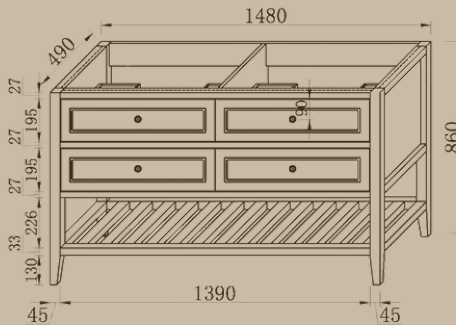
- + Carrara Marble

CUSTOMISE STONE/COLOR/HANDLE

- + Price to be quoted

INQUIRIES:

- + hello@joinerybears.com



CONSTRUCTION:

- + Structure: Hardwood
- + Drawer Front: High-density moisture-resistant particle board (MDF)
- + Interior: Premium Plywood
- + Hardware: Blum Soft close Mechanisms

INSTALLATION:

- + Freestanding, assembled vanity cabinet, no assembly needed.
- + Stone Top glued with basin, requires 1-2 people to lift the top to fit the cabinet.
- + Silicon top and sides of vanity if necessary.
- + No Tap hole unless requested.
- (Full installation guide: [Click Here](#))

PACKAGE:

- + Vanity 75KG 1580*580*940 mm
- + Stone & Basin 43KG 1600*600*350mm

STRUCTURE:

- 2 x cutout drawer
- 2 x full-size drawer
- 1 x Open Shelf
- 4 x knobs

Vanity Cabinet Cleaning Care Guide

Congratulations on your new vanity cabinet! To ensure its beauty and functionality last for years, please follow these care and cleaning instructions:

Regular Cleaning:

1. Dusting:

- + Use a soft, dry cloth to dust the surface regularly.
- + Avoid using rough or abrasive cloths that may scratch the finish.

2. General Cleaning:

- + Wipe down the surface with a damp, soft cloth.
- + Use a mild soap or detergent if needed. Dilute the soap in water and apply with a cloth.
- + Immediately dry the surface with a clean, soft towel to prevent water spots and moisture damage.

Deep Cleaning:

1. Stubborn Stains:

- + For tougher stains, use a mixture of water and a small amount of mild dish soap.
- + Apply the solution to the stain with a soft cloth, gently rubbing in a circular motion.
- + Rinse the area with a damp cloth and dry thoroughly.

2. Hardware Cleaning:

- + Use a damp cloth to wipe down handles and other hardware.
- + For brass handles, you may use a brass cleaner but ensure it doesn't come into contact with the cabinet surface.

Specific Material Care:

1. Painted Surfaces:

- + Avoid harsh chemicals or abrasive cleaners that can damage the paint.
- + Use a mild, non-abrasive cleaner diluted with water.

2. Marble Countertop (if applicable):

- + Clean spills immediately to avoid staining.
- + Use a pH-neutral cleaner specifically designed for marble.
- + Avoid acidic or abrasive cleaners that can etch the surface.

Preventative Care:

1. Avoid Excessive Moisture:

- + Do not allow water or other liquids to sit on the surface for extended periods.
- + Always wipe up spills immediately to prevent damage.

2. Heat Protection:

- + Avoid placing hot items directly on the vanity surface. Use trivets or heat pads to protect the finish.

3. Use Gentle Cleaners:

- + Avoid using bleach, ammonia, or other harsh chemicals.
- + Opt for mild, non-abrasive cleaners designed for the specific materials of your vanity.

Maintenance Tips:

1. Regular Inspections:

- + Periodically check for any signs of damage or wear and address them promptly.
- + Tighten any loose hardware to maintain the integrity of the cabinet.

2. Protective Coating:

- + Consider applying a protective wax or sealant to the surface to enhance durability and shine.
- + Follow the manufacturer's instructions for any products used.

By following these care instructions, you can ensure that your vanity cabinet remains beautiful and functional for many years.

Thank you for choosing our product!

For any further questions or assistance, please contact our customer service team at:

+ Email: hello@joinerybybears.com

+ Phone: 0411 013 310