

Wall-hung Vanity - Installation Guide

Thank you for choosing Joinery by Bears! This guide will walk you through the installation process for your wall-hung vanity.

Please read through this guide carefully before starting installation.

⚠ Important Notes:

Wall-hung vanities must be installed by a qualified tradesperson to ensure stability.

Plumbing fixtures must be installed by a licensed plumber (waste not supplied).

Components may be heavy and require two people to lift.

Do not sit or stand on the vanity—this may cause structural damage.

Failure to follow proper installation procedures may void the warranty.

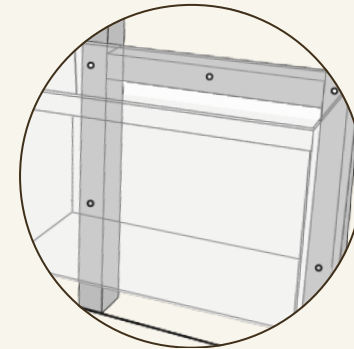
STEP 1: UNPACK & INSPECT

- Keep the product in its original packaging until installation.
- Upon delivery, carefully unpack the vanity, stone benchtop, and basin.
- Inspect all components for any cracks, scratches, or missing parts.
- Report any damage within 48 hours by emailing support@joinerybybears.com with clear images and your order number.

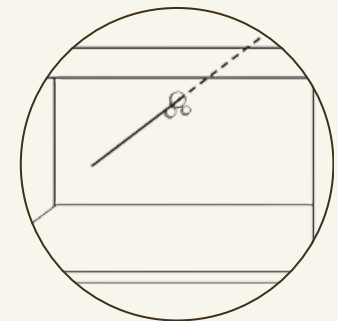
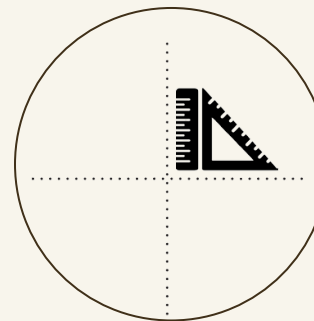


STEP 2: PREPARE FOR INSTALLATION

- Use a stud finder to locate and mark stud positions inside the wall.
- Wall-hung vanities require solid fixing points to ensure stability.
- Ensure the wall is structurally suitable for supporting a wall-hung vanity.



- If mounting onto a plasterboard wall, reinforcement may be required to ensure stability.
- Mark the desired height of the vanity and ensure plumbing points align correctly.

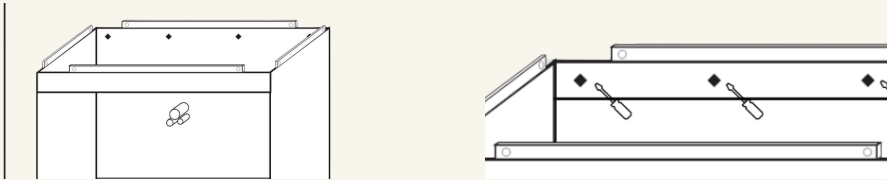


STEP 3: SECURE THE VANITY TO THE WALL

 Tools Required:


- ✓ Stud finder
- ✓ Level
- ✓ Drill
- ✓ Screws & wall plugs (if required)

- Position the vanity against the marked wall area.
- Drill pilot holes into the back panel of the vanity at the marked stud locations, ensuring proper alignment for secure attachment.



- Use a level to check alignment before fully tightening screws.
- Secure the vanity to the wall using strong screws.
- If the substructure requires different fixings, adjust as necessary.

STEP 4: INSTALL THE BASIN & STONE TOP

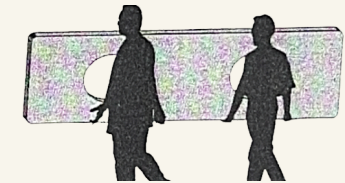
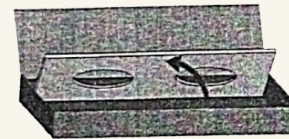
 Caution: The stone top is heavy! At least two people are required for lifting.



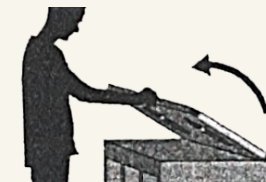
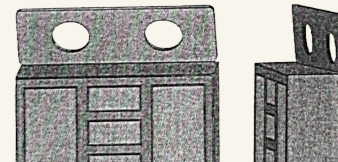
- Lift the stone evenly from both sides and handle it gently. Avoid placing force near faucet openings.



- If needed, apply a bead of mold-resistant silicone along the vanity edges to secure the stone top and prevent water seepage.



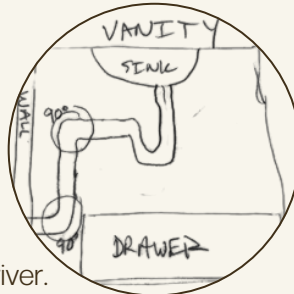
- Align the benchtop with the vanity and place it carefully.
- Check that the overhang is even on all sides before securing.



STEP 5: CONNECT THE PLUMBING (LICENSED PLUMBER REQUIRED)

💡 Note: Plumbing setups vary. A licensed plumber should assess your space before installation.

- Connect the drain pipe to the basin waste. Please note that the drain pipe is not included and must be supplied by the plumber based on your specific plumbing setup. Connect the drain pipe to the basin waste.
- Ensure all fittings are properly tightened to prevent leaks.



STEP 6: INSTALL HANDLES & FINAL ADJUSTMENTS

- Attach the handles or knobs (if applicable) using a screwdriver.
- Check all soft-close hinges and drawer runners to ensure smooth operation.

STEP 7: FINAL TOUCHES

- Double-check alignment of all parts.
- Clean the vanity and benchtop using a soft, non-abrasive cloth to remove dust or debris.
- Ensure all plumbing connections are secure and there are no leaks.
- Your wall-hung vanity is now ready for use! 🎉



💡 We'd love to see your finished bathroom!

Tag us on Instagram or send us a photo once your vanity is installed! 😊

WARRANTY & CUSTOMER SUPPORT

Joinery by Bears vanities come with:

- 5-year warranty on cabinets
- 2-year warranty on engineered stone benchtops & basins
- 12-month warranty on mirrors

To make a warranty claim or receiving damaged goods?

- Refuse delivery if damage is visible upon arrival.
- ✉ Email support@joinerybybears.com within 48 hours of receiving your vanity, including:
 1. Order number
 2. Batch code (found on the packaging label)
 3. Description of the issue
 4. Photos of the damage

📌 Note:

- Custom vanities cannot be returned, exchanged, or refunded.
- Water damage is not covered under warranty.

RETURNS & EXCHANGES

- Change of mind returns are **NOT** accepted.
- If an exchange is approved, additional freight charges apply.
- The item must be in **original packaging**. If repackaging is required, the cost will be at the customer's expense.
- If the product is sent back without proper packaging and gets damaged, the exchange is voided.